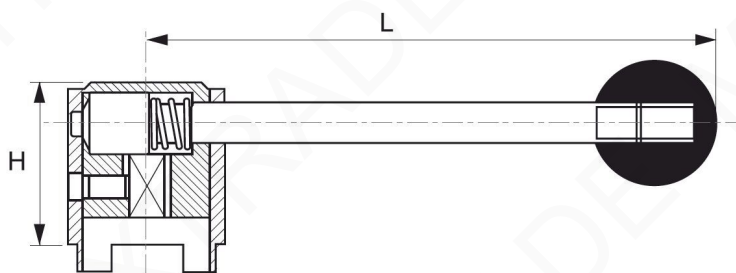
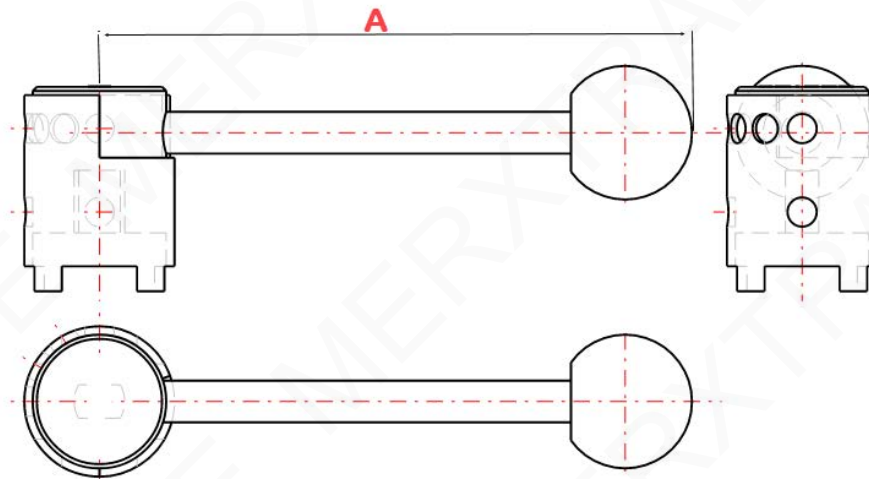
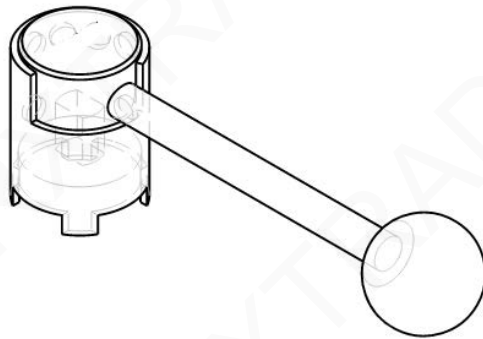


MXT-IVP0039001 (25 to 76)

Merxtrade B.V.

MXT-IVP0039002 (85 to 104)



Type	L	H	Weight (kg)	Material
Stainless Steel for diameter 25 to 76	145	42	0,37	Stainless Steel
Stainless Steel for diameter 85 to 104	168	43	0,4	Stainless Steel